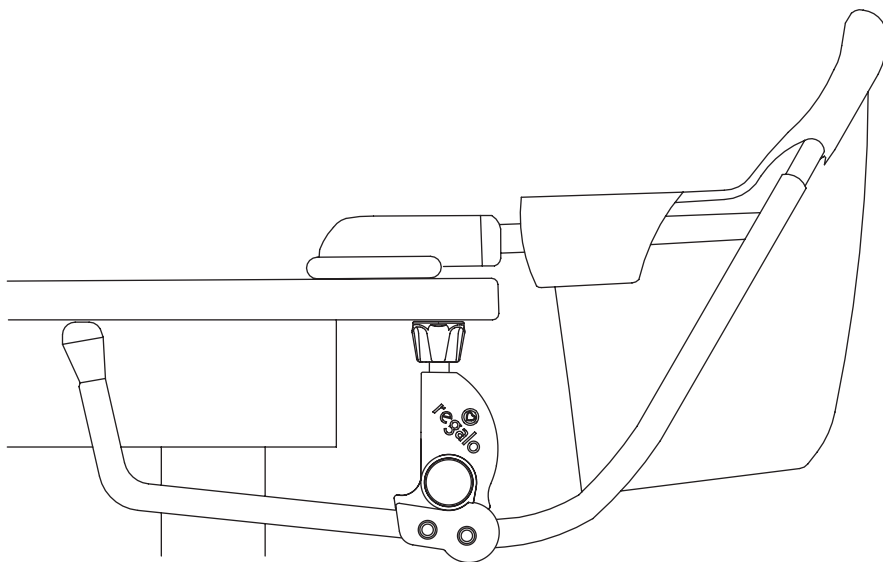




Hook On High Chair

OWNER'S MANUAL MODEL: 2662




- READ ALL INSTRUCTIONS BEFORE ASSEMBLY AND USE OF CHAIR.
- KEEP INSTRUCTIONS FOR FUTURE USE.

 www.regalo-baby.com

 Regalo International, LLC.

3200 Corporate Center Drive, Suite 100 / Burnsville, MN 55306-9803, USA

 866.272.5274 (U.S. only) or 952.435.1080

Made in China

Before Using Product

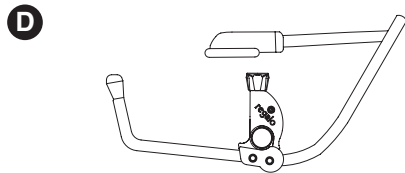
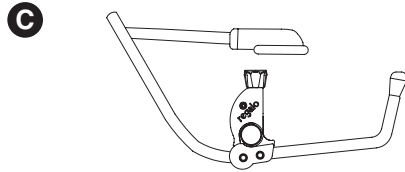
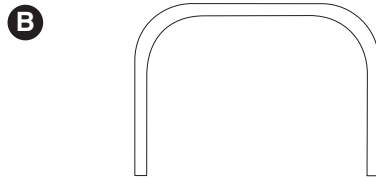
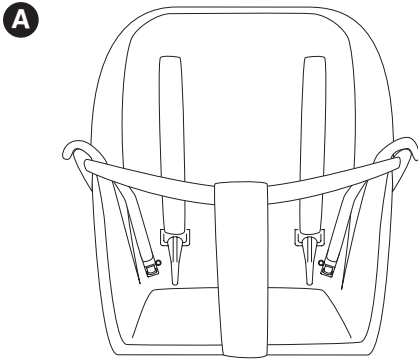
- READ ALL INSTRUCTIONS BEFORE ASSEMBLY AND USE OF CHAIR.
- **KEEP INSTRUCTIONS FOR FUTURE USE.**
- Failure to follow these instructions for the assembly of use of your Hook On High Chair could result in serious injury or death. The safety of your child is your responsibility.



WARNING

- Failure to follow all warnings and instructions could result in serious injury or death.
- Always secure child with the restraints.
- Never leave child unattended. Always keep child in view while in hook-on chair.
- Do not use on a glass table top, loose table top, single pedestal table, card table, table leaf, or with table cloths or placemats.
- Check stability of table before and after seating child.
- Recommended only for children capable of sitting upright unassisted
- Do not place ordinary chair under this hook-on chair or position this hook-on chair on counters or tables that are near structures which could be used by the child to push the hook-on chair off or up from the table or counter.
- Use only for children up to 37 pounds (16.8 kg).
- Use only for tables 1 to 2 in. thick (25.4 to 50.8 mm).
- Keep table and seat clean and dry to prevent slipping.
- Discontinue use if hook-on chair is broken. Contact manufacturer immediately for replacement parts or service.
- Do no use without all tips (suction cups or other locking/latching mechanisms) attached securely to table surface.
- Discontinue use if child, when seated in hook-on chair, is able to move the hook-on chair arms on the table top.
- Do not allow other children to play near or walk under the hook-on chair while in use.
- Before removing child from hook-on chair, be sure child's legs are free from hook-on chair supports.

Before Assembly



PLEASE CHECK TO MAKE SURE YOU HAVE THE FOLLOWING PARTS:

- A** *Seat Support & Pad*
- B** *U-Bar*
- C** *Left Arm*
- D** *Right Arm*
- E** *Carry Bag*

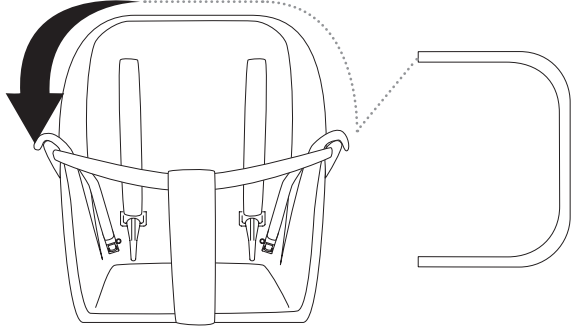
Assembling Your High Chair

STEP 1

Remove the *black plastic ends* from all the *metal bars*.

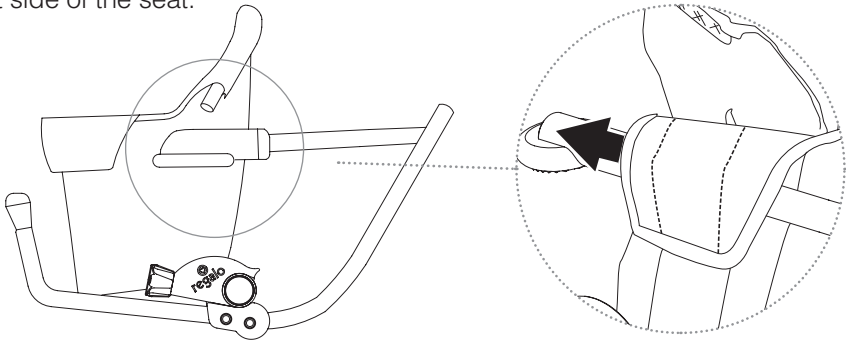
STEP 2

Slide the *u-bar* through the sleeve at the back of the *seat support* until the ends are exposed on both sides.



STEP 3

Slide the *paddle grip* of the *right arm* through the sleeve on the right side of the seat.

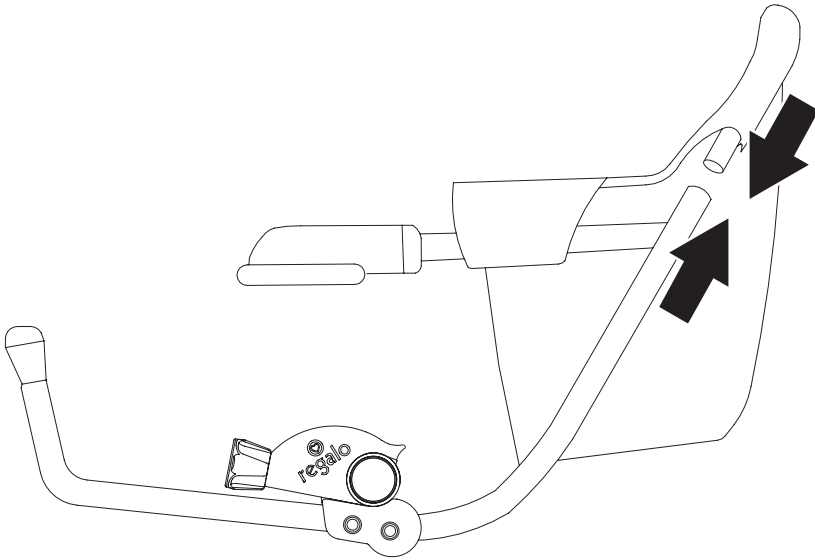


NOTE: Remove the *detachable seat pad* and inspect to ensure you have inserted the *arm* through the permanently sewn *arm sleeve* and NOT between the *detachable seat pad* and the *seat support*. Improper installation could result in unsafe conditions.

STEP 4

Attach the *right arm* to the right side of the *u-bar*, pushing the *spring pin*, as you slide the arm over the *u-bar*.

Repeat STEPS 3 – 4 for the left side.

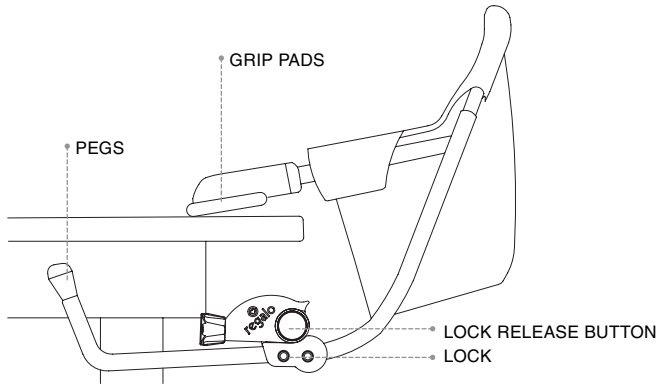


Installing Your High Chair

STEP 1

Slide the *high chair* onto the edge of a table, making sure that the *pegs* are underneath the table and that the *grip pads* are on top of the table.

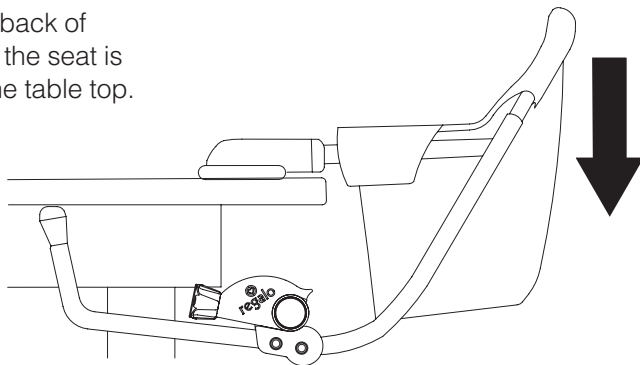
Make sure the *locks* are folded down so that they do not interfere with the attachment to the table. Press in the *lock release button* to do this.



NOTE: Your *high chair* will be noticeably angled when first placed on the table top. THIS IS NORMAL. Proceed to STEP 2.

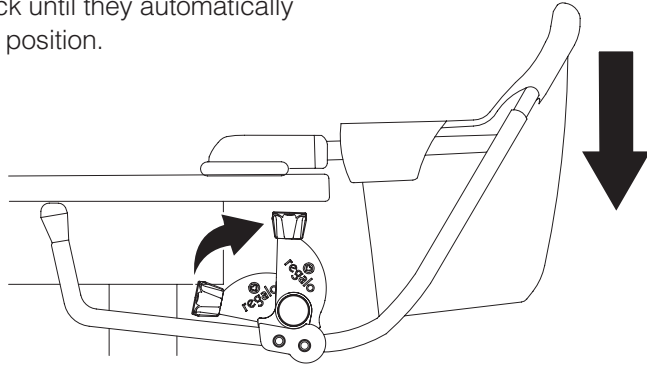
STEP 2

Push down on the back of the *high chair* until the seat is almost level with the table top.



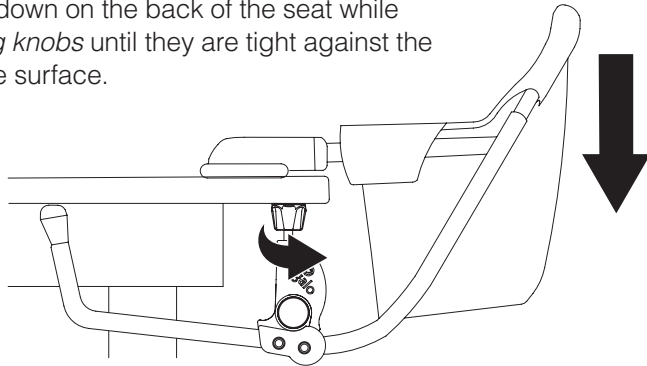
STEP 3

Pivot the *locks* back until they automatically lock in the vertical position.



STEP 4

Continue to push down on the back of the seat while turning the *locking knobs* until they are tight against the bottom of the table surface.



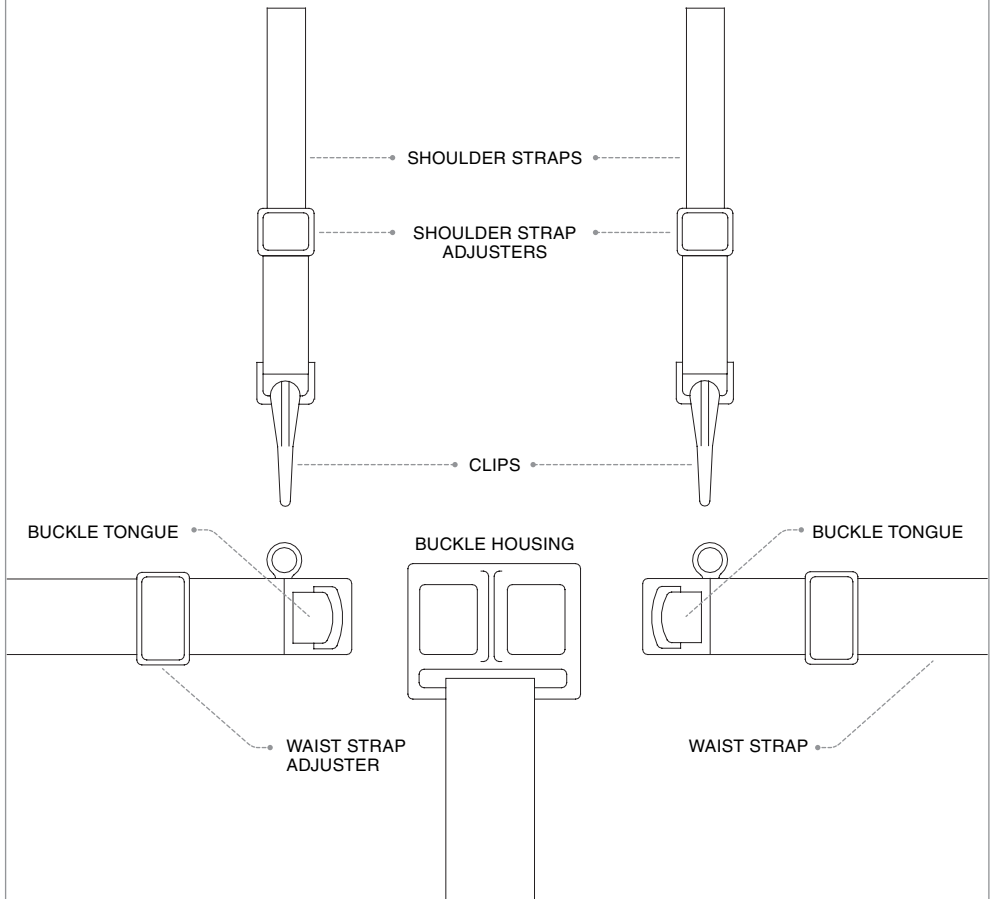
NOTE: If properly locked to the table top, you should not be able to pull your *high chair* off the table, even when pulling with a reasonable amount of force.

Harness Instructions

STEP 1

To secure your child in the harness, push *buckle tongues* into *buckle housing* and adjust with *waist strap adjuster* so that the *waist strap* is firmly secured around child.

Attach *shoulder strap clips* in position on *buckle tongues*. Then adjust so that they are secure, yet comfortable on child.



CLOSING YOUR HIGH CHAIR

Before attempting to close the *high chair*, remove your child.

STEP 1: Loosen the *table locks* on the *arms*.

STEP 2: Press in the *lock release buttons* and pivot the locks forward.

STEP 3: Remove the *high chair* from the table.

STEP 4: Fold the *arms* inward to store the *high chair* in the *carry bag*.

CARE AND MAINTENANCE

Periodically check the *high chair* for signs of damage, wear, or missing components. Do not use if any part is missing, worn or damaged. Always dry metal parts to avoid the formation of rust. Regularly check the *screws* attached to the *locking knobs* to ensure that they are securely tightened and tighten them when necessary.

FABRIC CARE

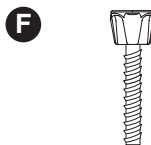
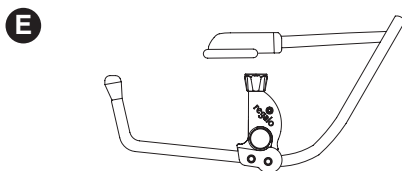
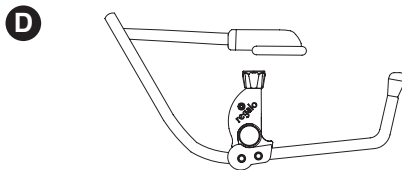
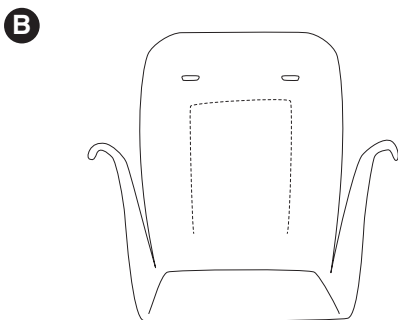
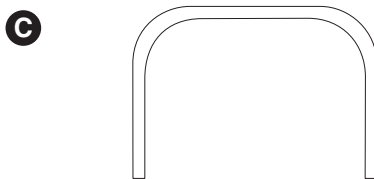
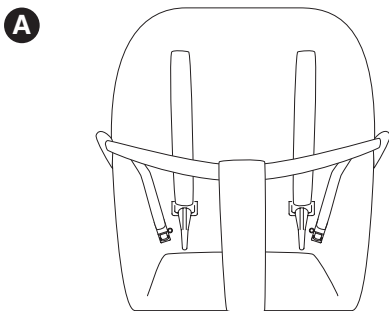
Always check the strength of the fabric and the strength of the stitching each time the fabric is washed.



90 DAYS LIMITED WARRANTY

If, during the first 90 days after consumer purchase of the item, under reasonable and non-commercial use and conditions of maintenance, it fails while owned by the original purchaser because of the quality of materials or workmanship of finish and assembly, Regalo International, LLC, will replace or repair it at Regalo's option. PROOF OF PURCHASE REQUIRED.

Replacement Parts



A **Seat Support**
Navy = #96109

B **Seat Pad**
Navy = #96110

C **U-Bar**
Navy = #96108

D **Left Arm**
Red (button color) = #99105

E **Right Arm**
Red (button color) = #99104

F **Spin Knob**
Navy = #96107

G **Rubber End Cap**
Black = #91106



www.regalo-baby.com



Regalo International, LLC.
3200 Corporate Center Drive, Suite 100
Burnsville, MN 55306-9803, USA



866.272.5274 (U.S. only) or 952.435.1080