

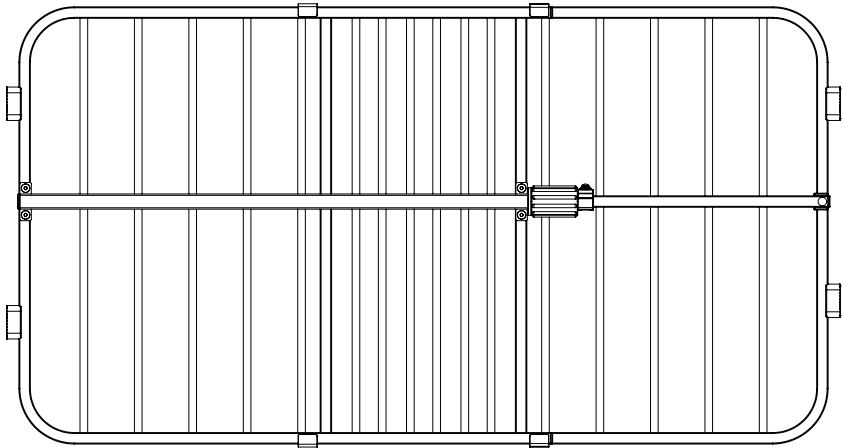


Guardian Expandable Gate

MODEL NO: 0724 & 0732

Owner's Manual

12/20/13_BL



READ ALL INSTRUCTIONS BEFORE ASSEMBLY AND USE
OF GATE. KEEP INSTRUCTIONS FOR FUTURE USE.

www.regalo-baby.com

Regalo International, LLC.

3200 Corporate Center Drive, Suite 100

Burnsville, MN 55306-9803, USA

Toll Free: 866-272-5274

Made in China

Assembly and Installation Instructions

Read and follow all instructions carefully to ensure that your gate is properly installed. Improper installation could result in the gate becoming unstable or dislodged from the doorway. The safety of your child is your responsibility. Please keep these instructions for your reference.

WARNING:

Intended for young children aged 6 months through 24 months. Check the gate regularly to see if all the hardware and mountings are tightened.

To prevent serious injury or death, securely install gate or enclosure and use according to manufacturer's instructions.

Never use with a child able to climb over or dislodge the gate or enclosure.

Never leave child unattended.

Use only with the locking/latching mechanism securely engaged.

Contact Regalo for questions and replacement parts.

If in doubt about the use of your gate, call our customer care line 866-272-5274.

Regalo International, LLC.

3200 Corporate Center Drive, Suite 100

Burnsville, MN 55306-9803, USA

Made in China

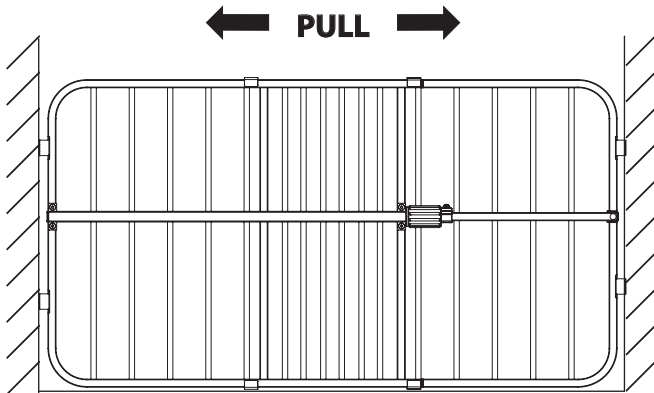
Installing your Expandable Gate:

Step 1: Place your expandable gate in an opening no smaller than 26 in. and no larger than 42in. wide.

Hint- If the opening has a baseboard or molding near the floor, be sure to place the gate above the molding so that the gate is installed on a vertically even surface.

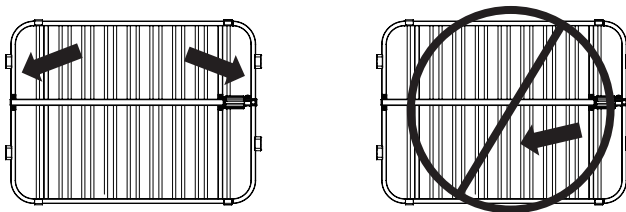
Step 2: With one hand on each side of the gate, pull each end of the gate away from the center, until the gate spans the entire length of your doorway or opening. As shown in Diagram A.

Diagram A



Note- Hold the outside frame of the gate, NOT the inner round bars. As shown in Diagram B.

Diagram B



Adjustment Device

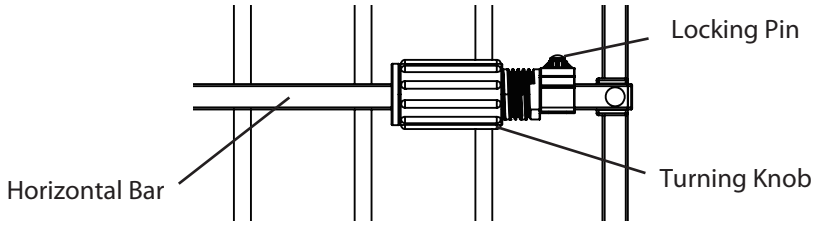
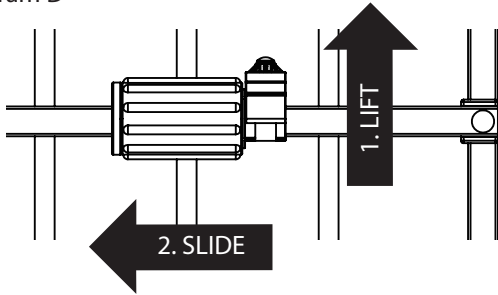


Diagram C

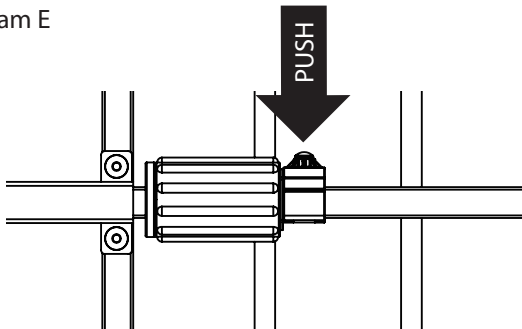
Step 3: To lock the gate into position, pull up on the Locking Pin and slide the Adjustment Device towards the center of the gate. As shown in Diagram D.

Diagram D



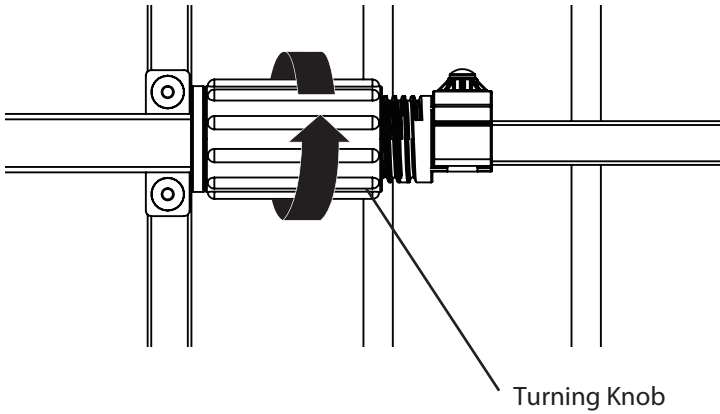
Step 4: When the Adjustment Device can go no further, push down on the Locking Pin. The pin will insert into one of the holes on the Horizontal Bar and secure the Adjustment Device in place. As shown in Diagram E.

Diagram E



Step 5: Use the Turning Knob to tighten and secure the gate in place. Rotate the knob away from you (clockwise) until enough pressure is created to stabilize and secure your gate. As shown in Diagram F.

Diagram F



Attention: Test the gate to make sure it is tightly secured and cannot be easily pushed out.

Once the gate is secured in place, it is ready to use!

To Remove Your Expandable Gate:

Step 1: Start by rotating the turning knob towards you (counterclockwise). This will alleviate the pressure.

Step 2: Lift up on the locking pin and slide the adjustment device away from the middle of the gate.

Step 3: With Both hands on the outer frame of the gate, slide the panels inward and remove the gate from your doorway or opening.

Care and Maintenance

Periodically check the gate for signs of damage, wear, or missing components.

Do not use if any parts are missing, worm, or damaged.

Check the gate regularly to make sure all hardware and mountings are tight and secure.

Do not use abrasive cleaners or bleach to clean your gate.

Clean your gate by sponging it with warm water and a mild detergent.

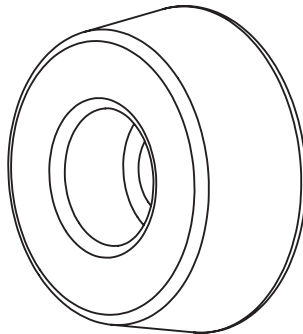
Wipe it dry immediately after cleaning.

90 Days Limited Warranty:

If, during the first 90 days after consumer purchase of this item, under reasonable and non-commercial use and conditions of maintenance, it fails while owned by the original purchaser because of the quality of materials or workmanship of finish and assembly, Regalo International will replace or repair it at Regalo's option. PROOF OF PURCHASE REQUIRED.

Replacement Parts Available

In the event of any damage or breakage, the following replacement parts are available for order by contacting Regalo Customer Service.



Round Rubber Bumper
(#11058)

Contact Regalo for questions and replacement parts.
For questions about the use of your gate, call our customer care line 866-272-5274.

Regalo International, LLC.
3200 Corporate Center Drive, Suite 100
Burnsville, MN 55306-9803, USA

Made in China



Regalo International, LLC.

3200 Corporate Center Drive, Suite 100

Burnsville, MN 55306-9803, USA

Toll Free: 866-272-5274

Made in China