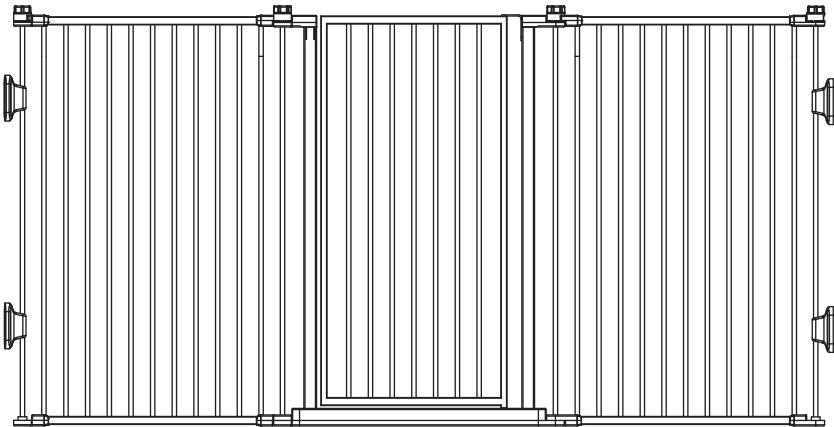




FLEXI GATE

MODEL NO: 1175

Owner's Manual



READ ALL INSTRUCTIONS BEFORE ASSEMBLY
AND USE OF GATE.
KEEP INSTRUCTIONS FOR FUTURE USE.

www.regalo-baby.com

Regalo International, LLC.

3200 Corporate Center Drive, Suite 100

Burnsville, MN 55306-9803, USA

Toll Free: 866-272-5274

Made in China

Assembly and Installation Instructions

Read and follow all instructions carefully to ensure that your gate and extensions are properly installed. Improper installation could result in the gate becoming unstable or dislodged from the doorway. Always make sure extensions is securely attached to the gate before using. The safety of your child is your responsibility. Please keep these instructions for your reference.

WARNING:

Intended for young children aged 6 months through 24 months. Check the gate regularly to see if all the hardware and mountings are tight.

To prevent serious injury or death, securely install gate or enclosure and use according to manufacturer's instructions. Never use with a child able to climb over or dislodge the gate or enclosure.

Never leave child unattended.

Use only with the locking/latching mechanism securely engaged.

To prevent falls, NEVER used at the top of stairs.

IMPORTANT:

The four Wall Mounting Brackets must be used in securing the gate to the wall. These brackets prevent the gate from dislodging from its opening and becoming unstable. The maximum width opening for the gate is 76 inches.

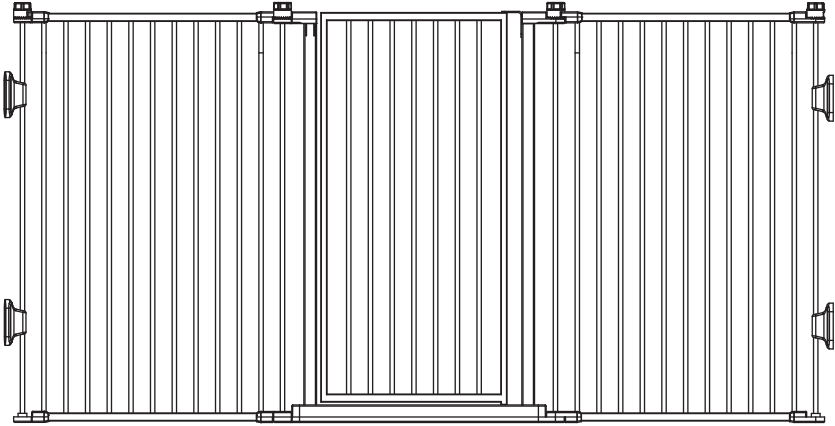
Contact Regalo for questions and replacement parts.

If in doubt about the use of your gate, call our customer care line 866-272-5274

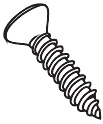
Regalo International, LLC
3200 Corporate Center Drive, Suite 100
Burnsville, MN 55306-9803, USA

Made in China

Check to make sure you have all of the parts shown:



A.



B.

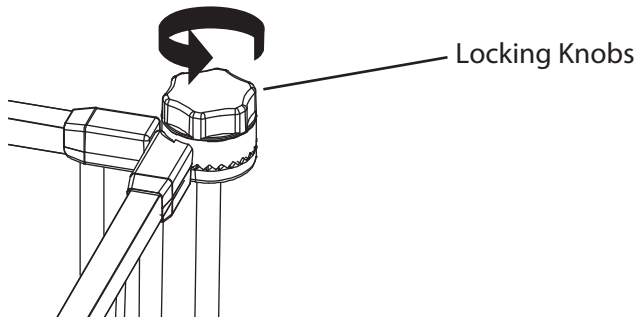
- A. Folded Gate Frame and attached Wall Mounting Assembly
- B. 8 Wall Mounting Screws

ADDITIONAL EXTENSIONS SOLD SEPARATELY!

Step 1.

Begin by unfolding the gate frame. To do this, simply loosen the Locking Knobs at each pivoting joint by turning the knob counter clockwise as shown in Diagram A. Loosen the knobs enough to allow the gate to swing open freely without fully removing the knobs.

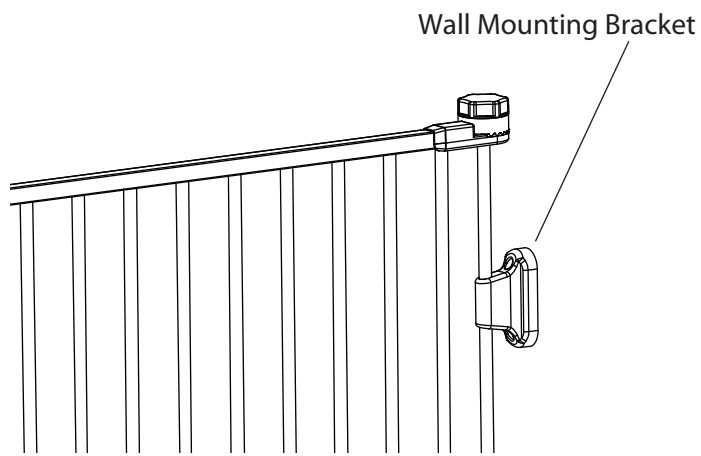
Diagram A



Step 2.

Bring the Wall Mounting Bracket to the wall you intend to attach it to as shown in Diagram B.

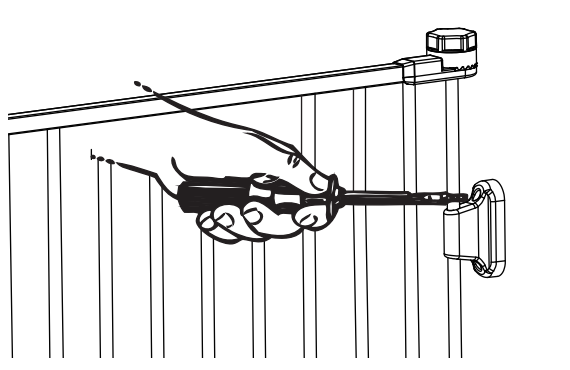
Diagram B



Step 3.

Use a Phillips/crosshead screwdriver to fix the Wall Mounting Bracket to the Wall as shown in Diagram C

Diagram C



Step 4.

Repeat steps 2 & 3 on the other end of the gate. Arrange the panels into your desired configuration, then tighten each of the Locking Knobs.

Care And Maintenance

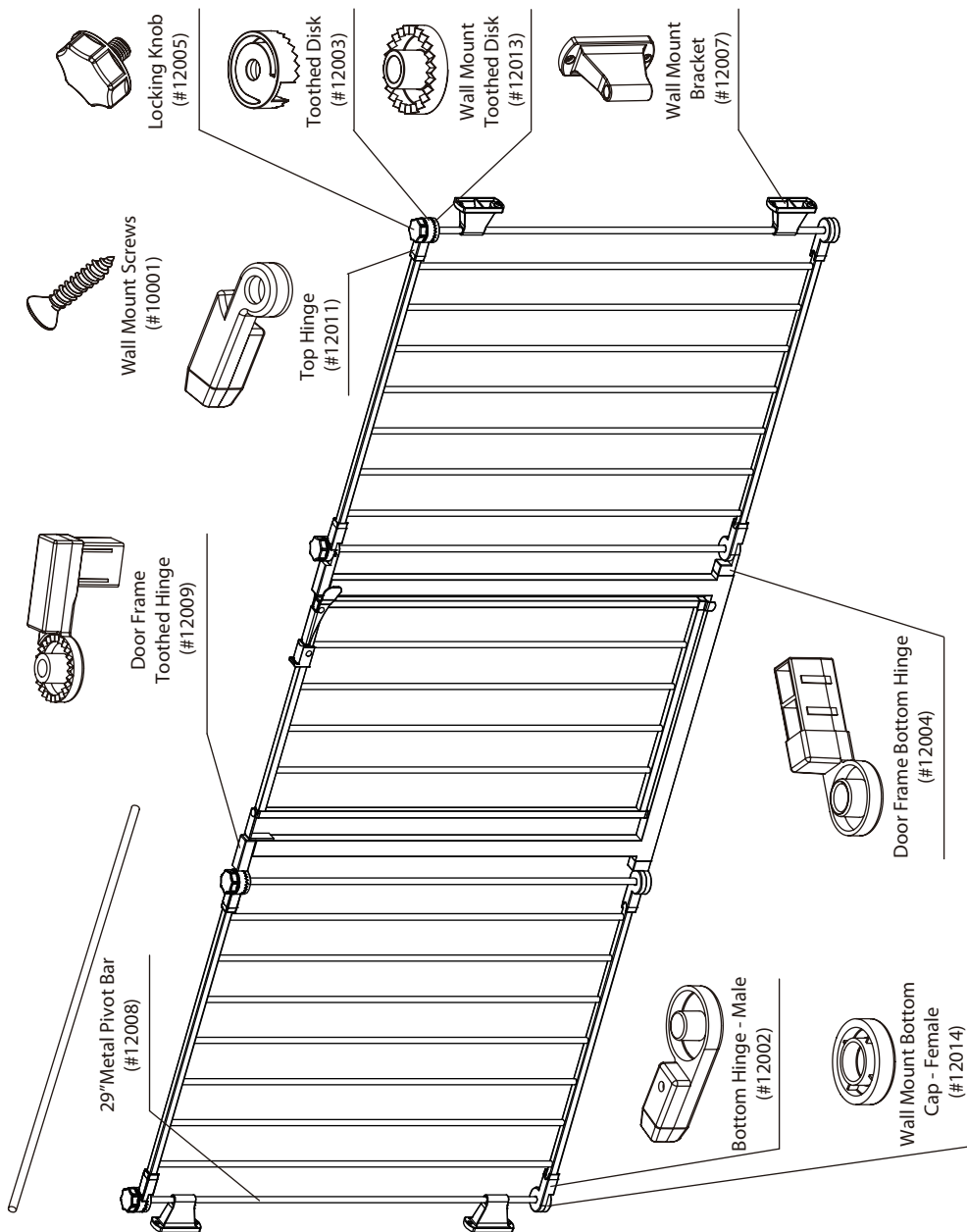
Periodically check the gate for signs of damage, wear, or missing components. Do not use if any part is missing, worn or damaged. Check the gate regularly to ensure all the hardware and mountings are tightened. Do not use abrasive cleaners or bleach. Clean by sponging with warm water and a mild detergent.

90 Days Limited Warranty:

If, during the first 90 days after consumer purchase of the item, under reasonable and non-commercial use and conditions of maintenance, it fails while owned by the original purchaser because of the quality of materials or workmanship of finish and assembly, Regalo International LLC will replace or repair it at Regalo's option. PROOF OF PURCHASE REQUIRED.

Replacement Parts Available

In the event of any damage or breakage, the following replacement parts are available for order by contacting Regalo Customer Service.





Regalo International, LLC.

3200 Corporate Center Drive, Suite 100

Burnsville, MN 55306-9803, USA

Toll Free: 866-272-5274

Made in China