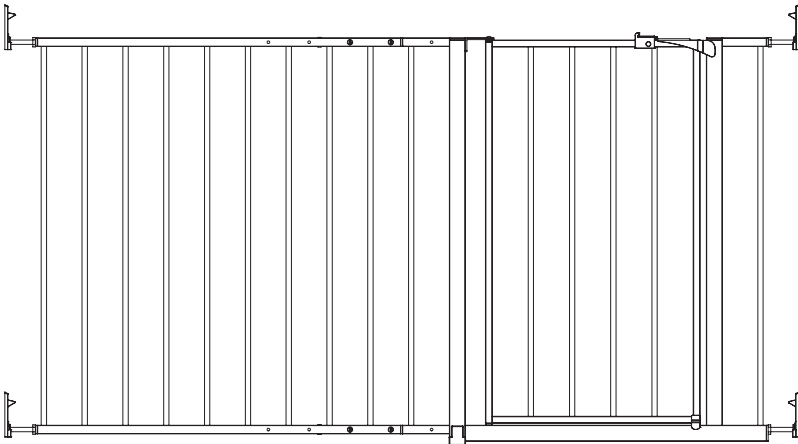




**Maxi Gate**  
**MODEL NO: 1190**  
Owner's Manual



READ ALL INSTRUCTIONS BEFORE ASSEMBLY  
AND USE OF GATE.  
KEEP INSTRUCTIONS FOR FUTURE USE.

[www.regalo-baby.com](http://www.regalo-baby.com)

---

**Regalo International, LLC.**

3200 Corporate Center Drive, Suite 100

Burnsville, MN 55306-9803, USA

Toll Free: 866-272-5274

Made in China

## Assembly and Installation Instructions

Please read these instructions carefully before installing your gate.

### **WARNING:**

Intended for young children aged 6 months through 24 months. Check the gate regularly to see if all the hardware and mountings are tightened.

To prevent serious injury or death, securely install gate or enclosure and use according to manufacturer's instructions.

Never use with a child able to climb over or dislodge the gate or enclosure.

Never leave child unattended.

Use only with the locking/latching mechanism securely engaged.

### **IMPORTANT:**

The four wall mounting brackets must be used with this gate.

If not used, the gate may dislodge from the opening and become unstable. This gate can be used in openings from 34 inches to 39 inches AND 49 inches to 59 inches. This gate will not work with openings that have a width between 39 inches and 49 inches.

**NOTE:** If wall mounting your gate to a surface other than drywall or wood, please contact a professional about installation.

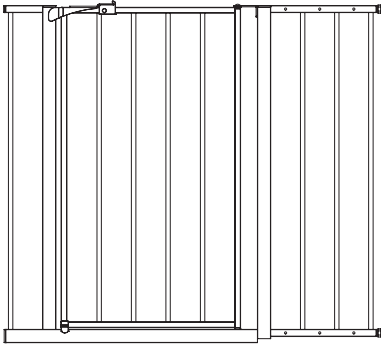
Contact Regalo for questions and replacement parts.

If in doubt about the use of your gate, call our customer care line 866-272-5274.

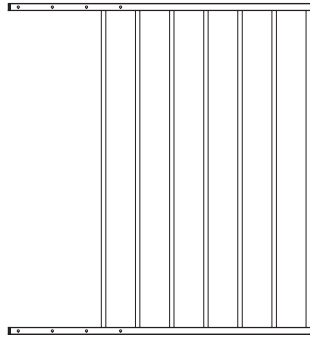
Regalo International, LLC.  
3200 Corporate Center Drive, Suite 100  
Burnsville, MN 55306-9803, USA.

Made in China

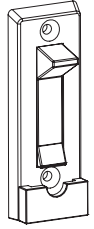
# Check to make sure you have all of the parts shown:



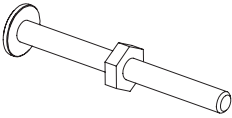
A.



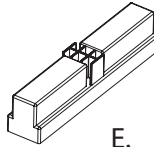
B.



C.



D.



E.



G.



H.



F.

- A.** Maxi Gate Main Panel
- B.** Maxi Gate Extension Panel
- C.** 4 Maxi Mounting Brackets
- D.** 4 Maxi Threaded Rods
- E.** Stabilizing Foot
- F.** 8 - 1" Screws (requires a Phillips/crosshead screwdriver)
- G.** 4 Double Ended Screws (requires a Phillips/crosshead screwdriver)
- H.** Paper Wall Mounting Template

# Assembling and Installing Your Gate:

## Step 1.

Determine the width of your doorway or opening.

**For openings between 34" and 39":**

Remove and discard the protective end screws located at points **X** and **Y** in Diagram A, then skip to Step 3.

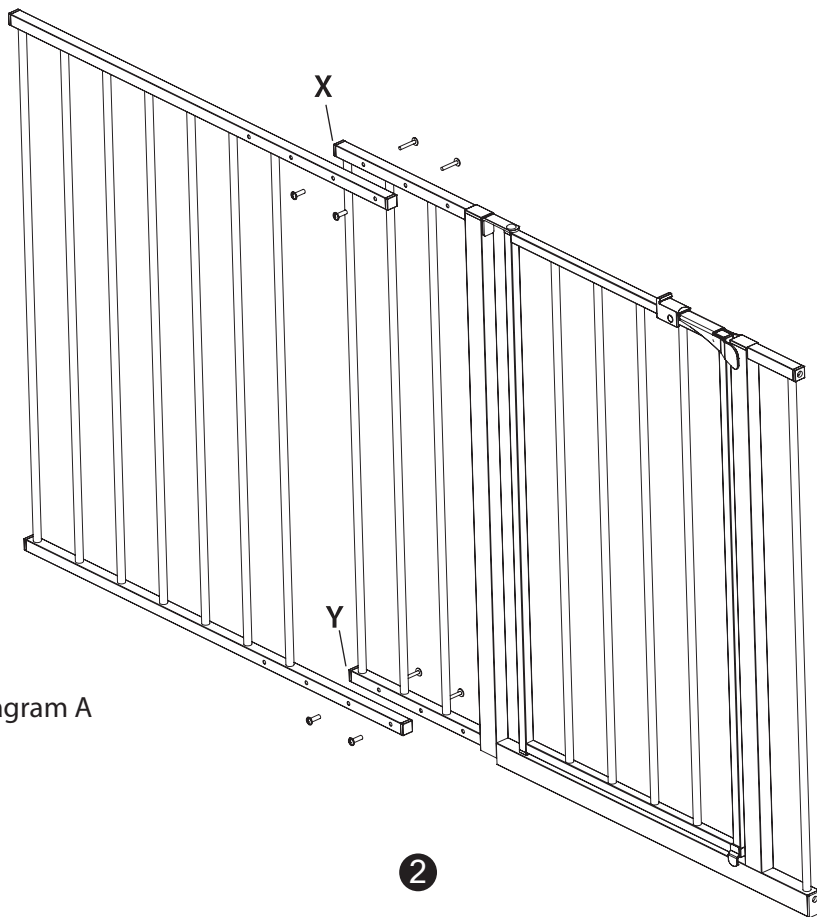
**For openings between 49" - 59":**

Proceed to Step 2.

## Step 2.

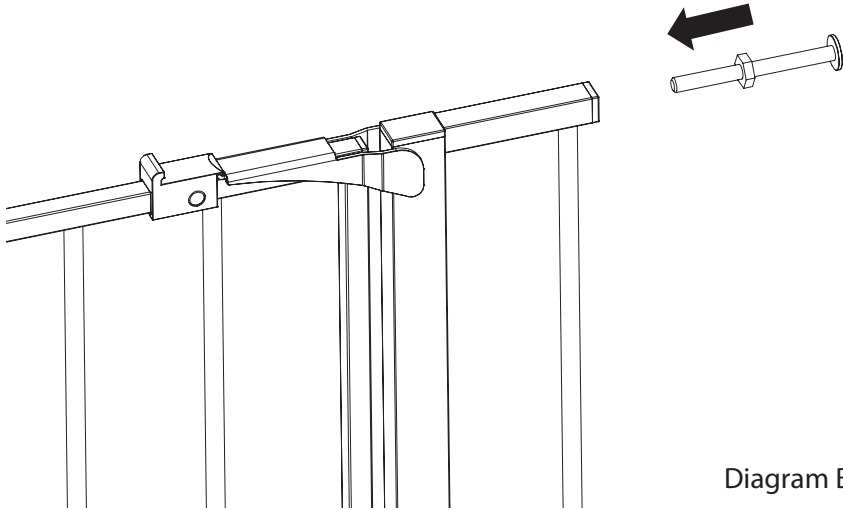
Use the 4 Double Ended Screws to fasten the Extension Panel to the Main Gate Panel so that the new gate configuration fits within your doorway or opening with 1"-5" of extra space.

**NOTE:** You must use 2 sets of Double Ended Screws on top, and 2 sets of Double Ended Screws on the bottom. See Diagram A



### Step 3.

Screw in the 4 Threaded Rods into the 4 corners of the assembled gate. The Threaded Rods do not need to be fully screwed in, final adjustments will be made before completing installation.

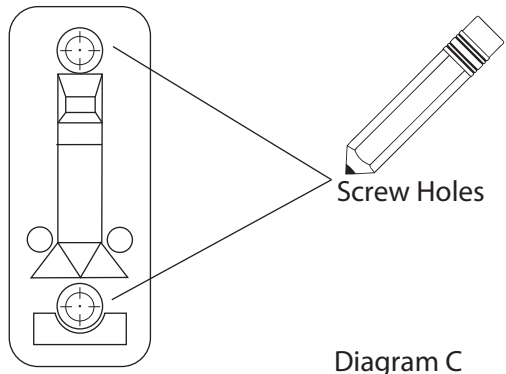


### Step 4.

Use the Paper Wall Mounting Template to help you mark the exact locations to attach the Maxi Mounting Brackets

To use the Paper Wall Mounting Template, place it against the wall with the bottom edge of the template touching the floor. You may choose to use a level or measuring device to ensure exact placement.

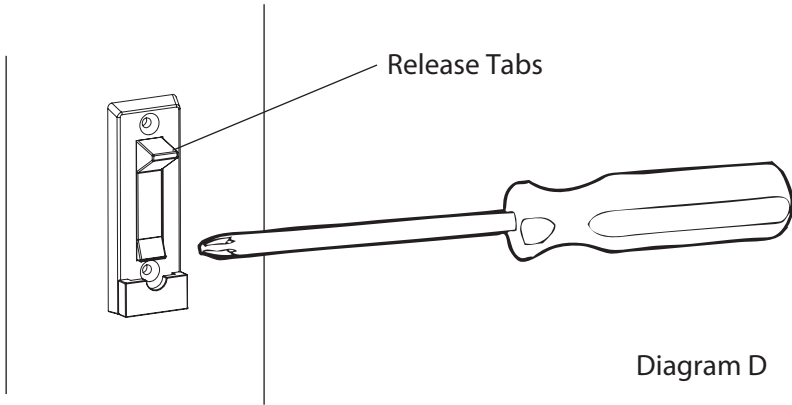
Mark the location of the screw holes of the Mounting Brackets through the template and onto the wall. Then, repeat the process on the opposing side of the opening or doorway.



## Step 5.

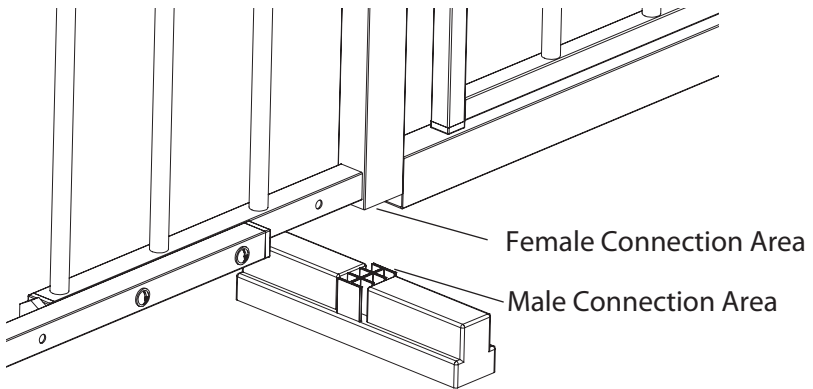
Use the 8 included 1" Screws to attach the Maxi Mounting Brackets to the wall at the locations you marked in Step 4.

**NOTE:** The Mounting Brackets must be orientated so that the Release Tabs are towards the top. See Diagram D



## Step 6.

Before attaching your gate to the wall, attach the plastic Stabilizing Foot to the bottom of the gate. To do this, simply insert the Male Connection Area of the Stabilizing Foot into the Female Connection Area of the gate frame.



## Step 7.

Connect the assembled gate to the wall by inserting the flat ends of the Threaded Rods into the semi-circle slot at the bottom of each Maxi Mounting Brackets. Adjust the length of the threaded rods appropriately to allow for installation. After proper insertion, the Threaded Rods will lock in place.

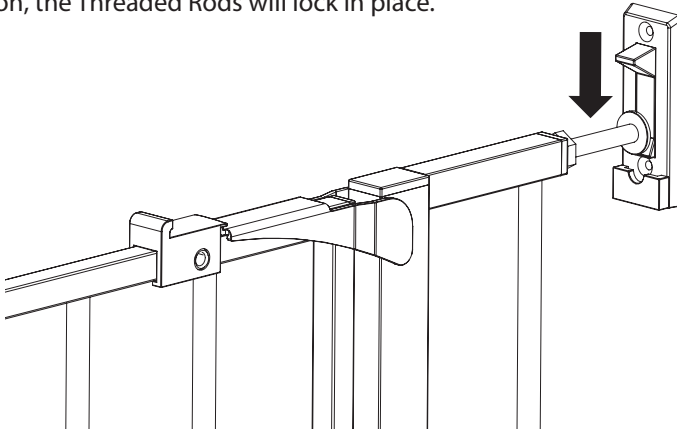


Diagram F

**HINT:** Install one side of the gate completely before attempting to install the second side.

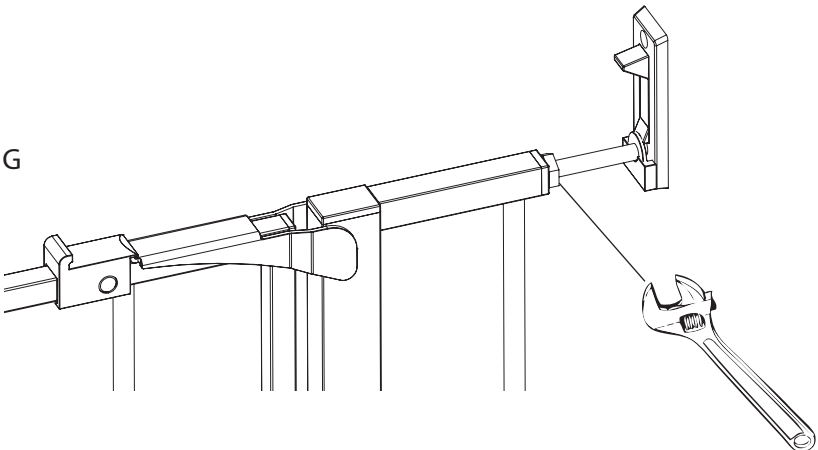
## Step 8.

Adjust the Threaded Rods so that an equal amount of spacing is distributed between the 4 corners.

**IMPORTANT:** The maximum length of the exposed threaded rods should not exceed 3 inches.

Then, using a wrench, tighten the locking nuts to lock the gate in place.

Diagram G



## Removing the Gate From the Wall:

To release the gate from the wall, simply press down on the Release Tabs on each of the four Maxi Mounting Brackets while lifting the Threaded Rods upwards and out of their locked position.

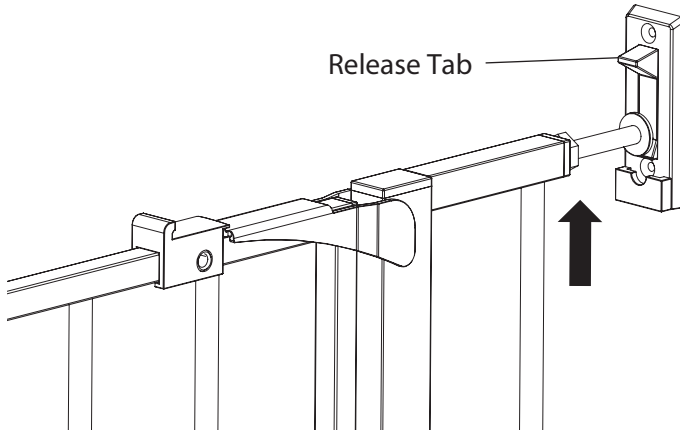


Diagram H

## Care And Maintenance

Periodically check the gate for signs of damage, wear, or missing components.

Do not use if any part is missing, worn or damaged.

Check the gate regularly to ensure all the hardware and mountings are tightened.

Do not use abrasive cleaners or bleach.

Clean by sponging with warm water and a mild detergent.

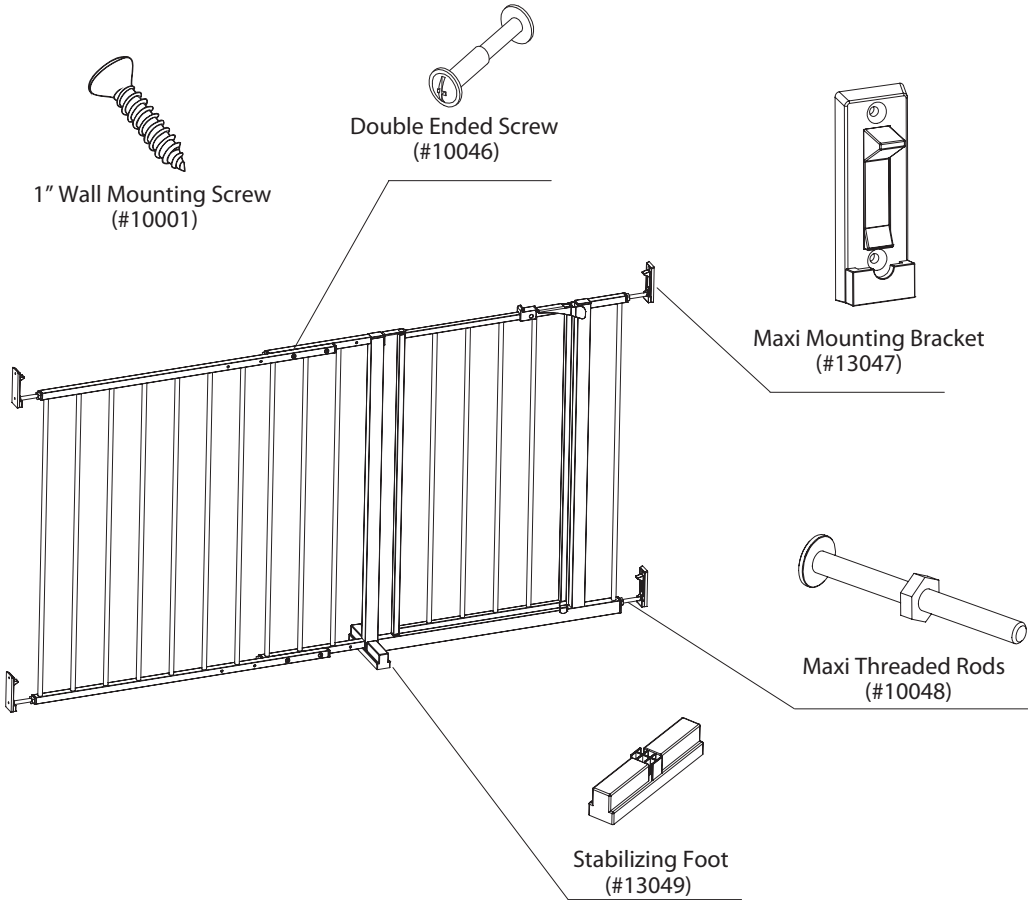
## 90 Days Limited Warranty:

If, during the first 90 days after consumer purchase of the item, under reasonable and non-commercial use and conditions of maintenance, it fails while owned by the original purchaser because of the quality of materials or workmanship of finish and assembly, Regalo International LLC will replace or repair it at Regalo's option. **PROOF OF PURCHASE REQUIRED.**



# Replacement Parts Available

In the event of any damage or breakage, the following replacement parts are available for order by contacting Regalo Customer Service.



Contact Regalo for questions and replacement parts.  
For questions about the use of your gate, call our customer care line 866-272-5274.

Regalo International, LLC.  
3200 Corporate Center Drive, Suite 100  
Burnsville, MN 55306-9803, USA

Made in China



**Regalo International, LLC.**

3200 Corporate Center Drive, Suite 100

Burnsville, MN 55306-9803, USA

Toll Free: 866-272-5274

Made in China